

CS3732C Conductivity Electrode

Short type



Specification Parameters:

Conductivity range: 0.01~200 μ S/cm

Electrode mode: 2-pole type

Electrode constant: $K \approx 0.1$

Liquid connection material: 316L

Temperature range: 0~60° C

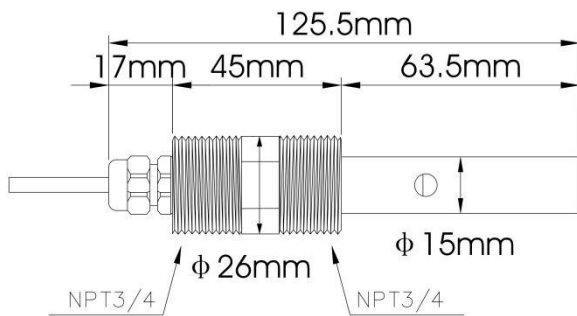
Pressure range: 0~0.6Mpa

Temperature sensor:

NTC10K/NTC2.2K/PT100/PT1000

Installation interface: NPT3/4"

Electrode wire: standard 10m



Customisable items

Name	Content	Number
Temperature Sensor	NTC10K	N1
	NTC2.2K	N2
	PT100	P1
	PT1000	P2
Cable length	5m	m5
	10m	m10
	15m	m15
	20m	m20
Cable Connector	Boring Tin	A1
	Y Pins	A2
	Single Pin	A3