

Digital ISE Sensor Series



Review

The fluoride ion selective electrode is a selective electrode sensitive to the concentration of fluoride ion, the most common one is the lanthanum fluoride electrode. Lanthanum fluoride electrode is a sensor made of lanthanum fluoride single crystal doped with europium fluoride with lattice holes as the main material. This crystal film has the characteristics of fluoride ion migration in the lattice holes. Therefore, it has very good ion conductivity. Using this crystal membrane, the fluoride ion electrode can be made by separating two fluoride ion solutions. The fluoride ion sensor has a selectivity coefficient of 1. And there is almost no choice of other ions in the solution. The only ion with strong interference is OH⁻, which will react with lanthanum fluoride and affect the determination of fluoride ions. However, it can be adjusted to determine the sample pH <7 to avoid this interference.

Features



round bulbs, large sensitive area
fast response, stable signal



PP material,
Work well at 0~60°C.



The lead is made of pure copper, which can directly realize remote transmission, which is more accurate and stable than the lead signal of copper-zinc alloy.

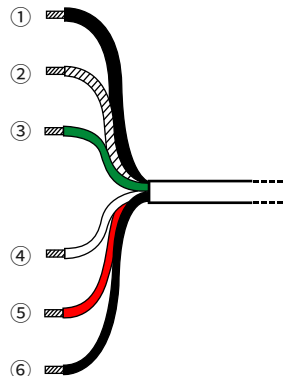
Wiring

4~20mA output:

- ① Black V-, ② Transparent line V+, Power supply
- ③ Green I+, ④ White I-, Current
- ⑤ Red A, ⑥ Black B, Communication

RS485 output:

- ① Blue V+, ② Yellow V-, Power supply
- ③ Red RS485A, ④ Green RS485B,



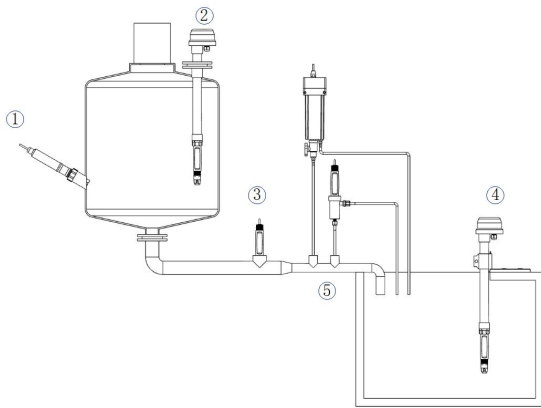


Waterproof and durable
IP68



Adopt PTFE large ring
diaphragm, long life time

Installation



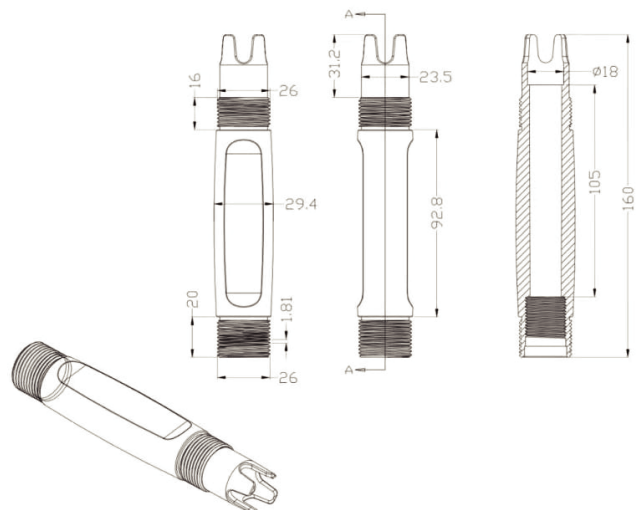
(Common electrode installation)



(Mounting brackets)

Technicals

Parameter	Configuration
Measured Range	0~2000mg/L(Customizable)
Principle	Ion selective sensor
Temp Range	0-50°C
Output Signal	RS485 or 4-20mA
Pressure Range	0—0.3MPa
Temperature Sensor	NTC10K
Housing Materials	PP+PVC film
Membrane Resistance	<500MΩ
Calibration	Standard liquid calibration
Accuracy	±2.5%
Resolution	0.1mg/L
Connection method	4 or 6 core cable
Threaded connection	NPT3/4"
Cable Length	10m or Customize
Wire Connection	Pin, BNC or Customize



(Overall dimension drawing)