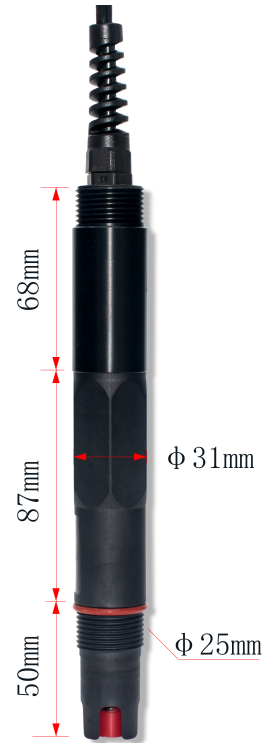


# Digital ISE Sensor Series



## Review

Easy to connect to PLC, DCS, industrial control computers, general purpose controllers, paperless recording instruments or touch screens and other third party devices.

The CS6712SD potassium ion selective electrode is an effective method to measure the potassium ion content in the sample. Potassium ion selective electrodes are also often used in online instruments, such as industrial online potassium ion content monitoring. Potassium ion selective electrode has the advantages of simple measurement, fast and accurate response. It can be used with PH meter, ion meter and online potassium ion analyzer, and also used in electrolyte analyzer, and ion selective electrode detector of flow injection analyzer.

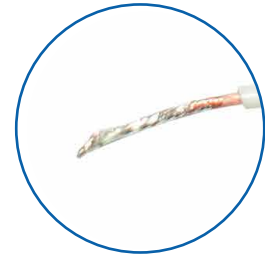
## Features



round bulbs, large sensitive area  
fast response, stable signal



PP material,  
Work well at 0~60°C.



The lead is made of pure copper, which can directly realize remote transmission, which is more accurate and stable than the lead signal of copper-zinc alloy.

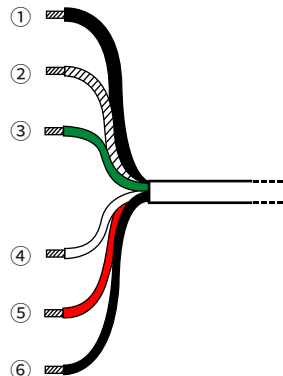
## Wiring

### 4~20mA output:

- ① Black V-, ② Transparent line V+, Power supply
- ③ Green I+, ④ White I-, Current
- ⑤ Red A, ⑥ Black B, Communication

### RS485 output:

- ① Blue V+, ② Yellow V-, Power supply
- ③ Red RS485A, ④ Green RS485B,



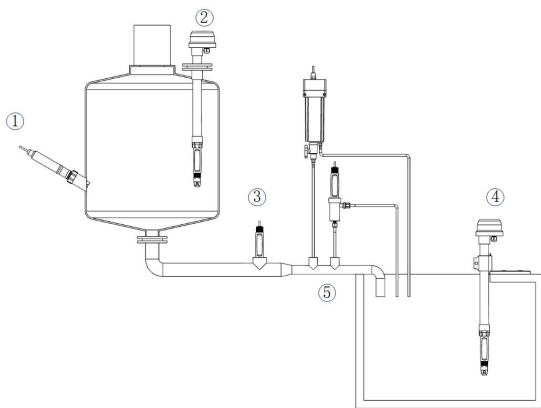


Waterproof and durable  
IP68



Adopt PTFE large ring  
diaphragm, long life time

## Installation

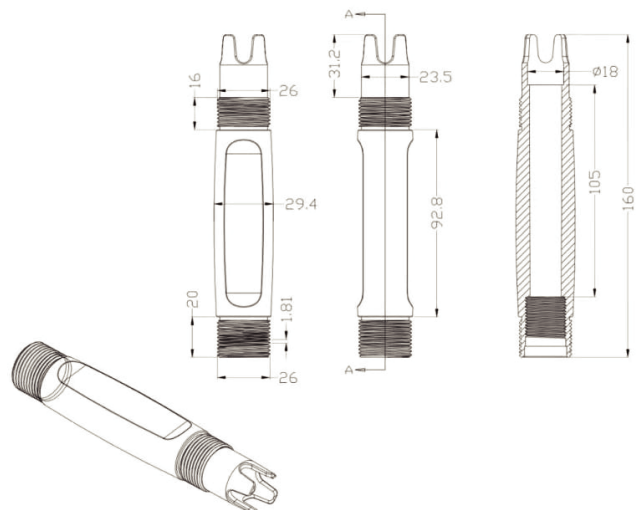


(Common electrode installation)



## Technicals

Parameter	CS6712SD
Measured Range	0~1000mg/L(Customizable)
Principle	Ion selective sensor
Temp Range	0-50°C
Output Signal	RS485 or 4-20mA
Pressure Range	0—0.3MPa
Temperature Sensor	NTC10K
Housing Materials	PP+PVC
Membrane Resistance	<500MΩ
Calibration	Standard liquid calibration
Accuracy	±2.5%
Resolution	0.1mg/L
Connection method	4 or 6 core cable
Threaded connection	NPT3/4"
Cable Length	10m or Customize
Wire Connection	Pin, BNC or Customize



(Overall dimension drawing)