

Digital Nitrate Sensor Series



Review

Ion selective electrode is a kind of electrochemical sensor that uses membrane potential to measure the activity or concentration of ions in the solution. When it comes into contact with the solution containing the ions which are to be measured, it will generate contact with the sensor at the interface between its sensitive membrane and the solution. Ion activity is directly related to membrane potential. Ion selective electrodes are also called membrane electrodes. This type of electrode has a special electrode membrane that selectively responds to specific ions. The relationship between the potential of the electrode membrane and the ion content to be measured conforms to the Nernst formula. This type of electrode has the characteristics of good selectivity and short equilibrium time, making it the most commonly used indicator electrode for potential analysis.

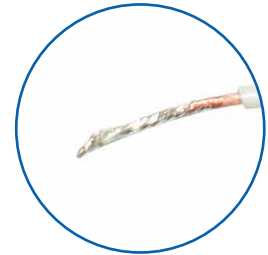
Features



round bulbs, large sensitive area
fast response, stable signal



PP material,
Work well at 0~60°C.



The lead is made of pure copper, which can directly realize remote transmission, which is more accurate and stable than the lead signal of copper-zinc alloy.

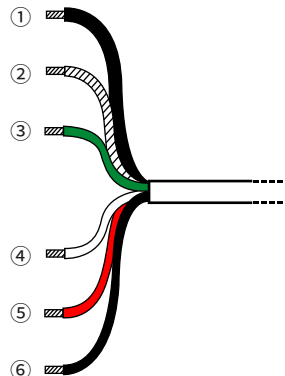
Wiring

4~20mA output:

- ① Black V-, ② Transparent line V+, Power supply
- ③ Green I+, ④ White I-, Current
- ⑤ Red A, ⑥ Black B, Communication

RS485 output:

- ① Blue V+, ② Yellow V-, Power supply
- ③ Red RS485A, ④ Green RS485B,



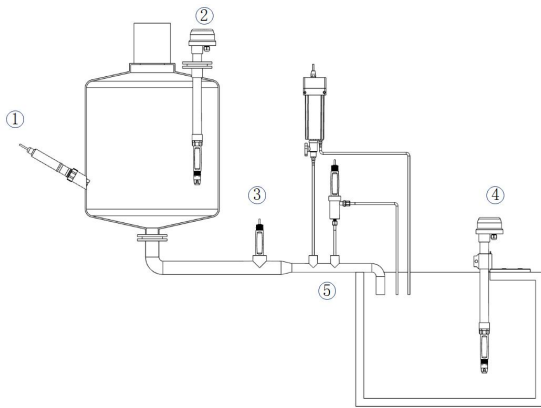


Waterproof and durable
IP68

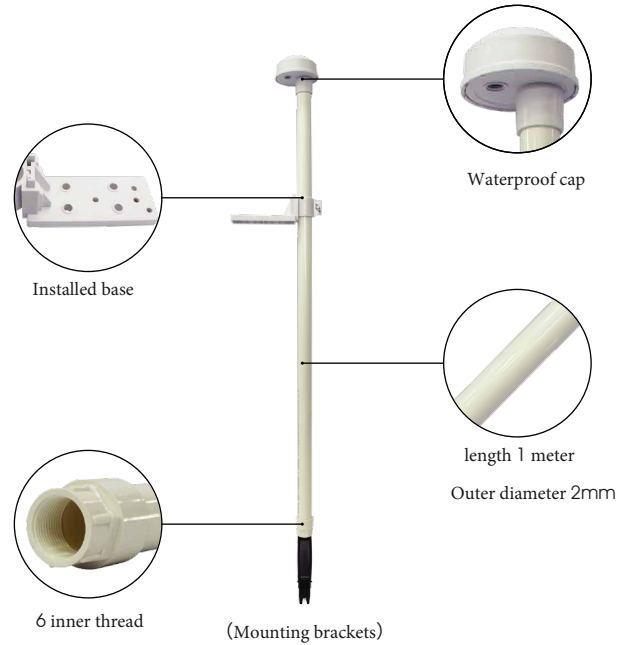


Adopt PTFE large ring
diaphragm, long life time

Installation



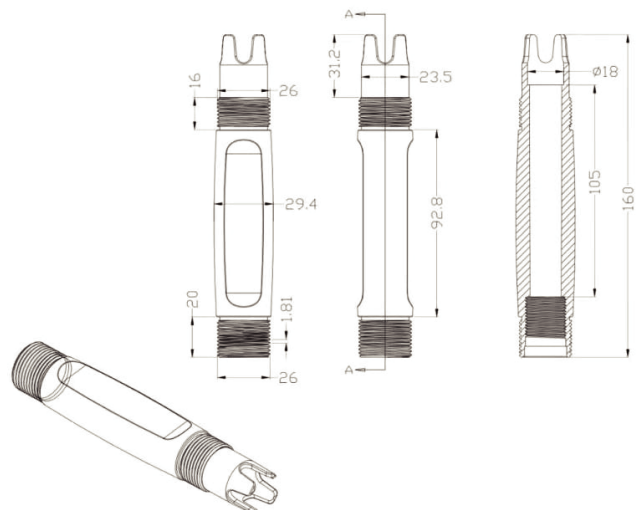
(Common electrode installation)



(Mounting brackets)

Technicals

Parameter	Configuration
Measured Range	0~1000mg/L(Customizable)
Principle	Ion selective sensor
Temp Range	0-50°C
Output Signal	RS485 or 4-20mA
Pressure Range	0—0.3MPa
Temperature Sensor	NTC10K
Housing Materials	PP+PVC
Membrane Resistance	<500MΩ
Calibration	Standard liquid calibration
Accuracy	±2.5%
Resolution	0.1mg/L
Connection method	4 or 6 core cable
Threaded connection	NPT3/4"
Cable Length	10m or Customize
Wire Connection	Pin, BNC or Customize



(Overall dimension drawing)